



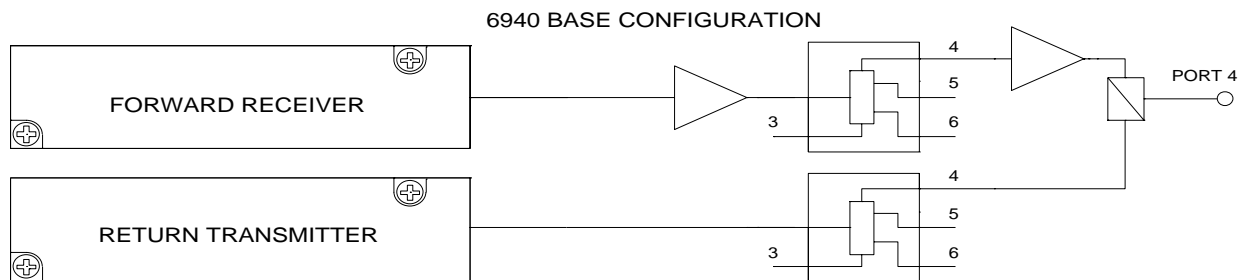
Cableserv Scientific Atlanta® 6940 Series Node Segmentation Overview

The SA 6940 was manufactured originally as a 3 or 4 output node, sometimes with RF Backup.

This model was never intended for segmentation, and was only produced in a Single Forward and Single Return configuration.

While there are multiple Receiver and Transmitter locations, these are configured for Redundancy and Split Band operation, and not Segmentation.

The diagram below shows the base configuration for the 6940 Series as normally deployed.



It is possible to implement the Forward and Return segmentation options independently. A Node could be segmented Dual Forward and Quad Return depending on traffic requirements.

In Forward Segmentation offerings, the original Forward Receiver and RF Preamp are retained feeding the Port 4 output (upper right). Three segmentation options are offered:

- Dual Forward
- Dual Return
- Quad Return

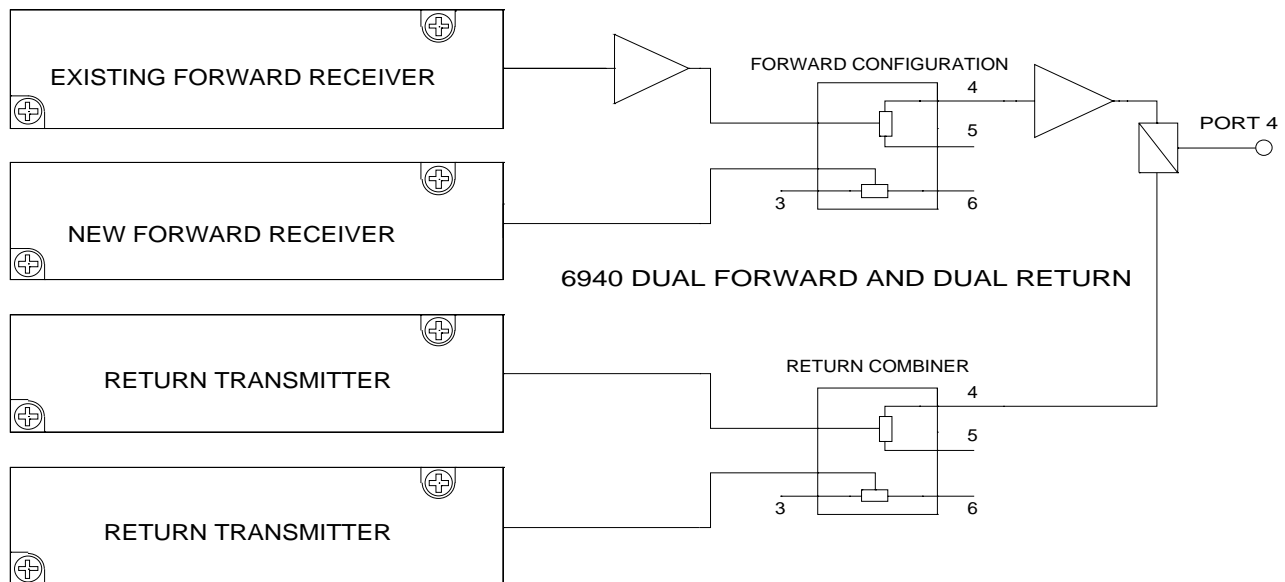
Depending on fiber availability and required topology, Return Lasers are available in 1310nm, 1550nm and ITU CWDM 1470-1610nm.

SA 6940 DUAL FORWARD AND DUAL RETURN SEGMENTATION

In this Dual Forward Segmentation, the original Forward receiver is retained, and via a new Forward Interstage module, now feeds 2 ports (upper right and center right).

A new CableServ High Output receiver, which does not require an RF preamp, feeds the other two ports (lower right and lower left).

The new Return Interstage directs 2 ports (lower right and lower left) to a new Return Laser, and 2 ports (upper right and center right) to the existing Laser location.



A Dual Forward kit consists of:

1 High Gain Optical Receiver

1 Dual Forward Interstage Configuration Module

A Dual Return kit consists of:

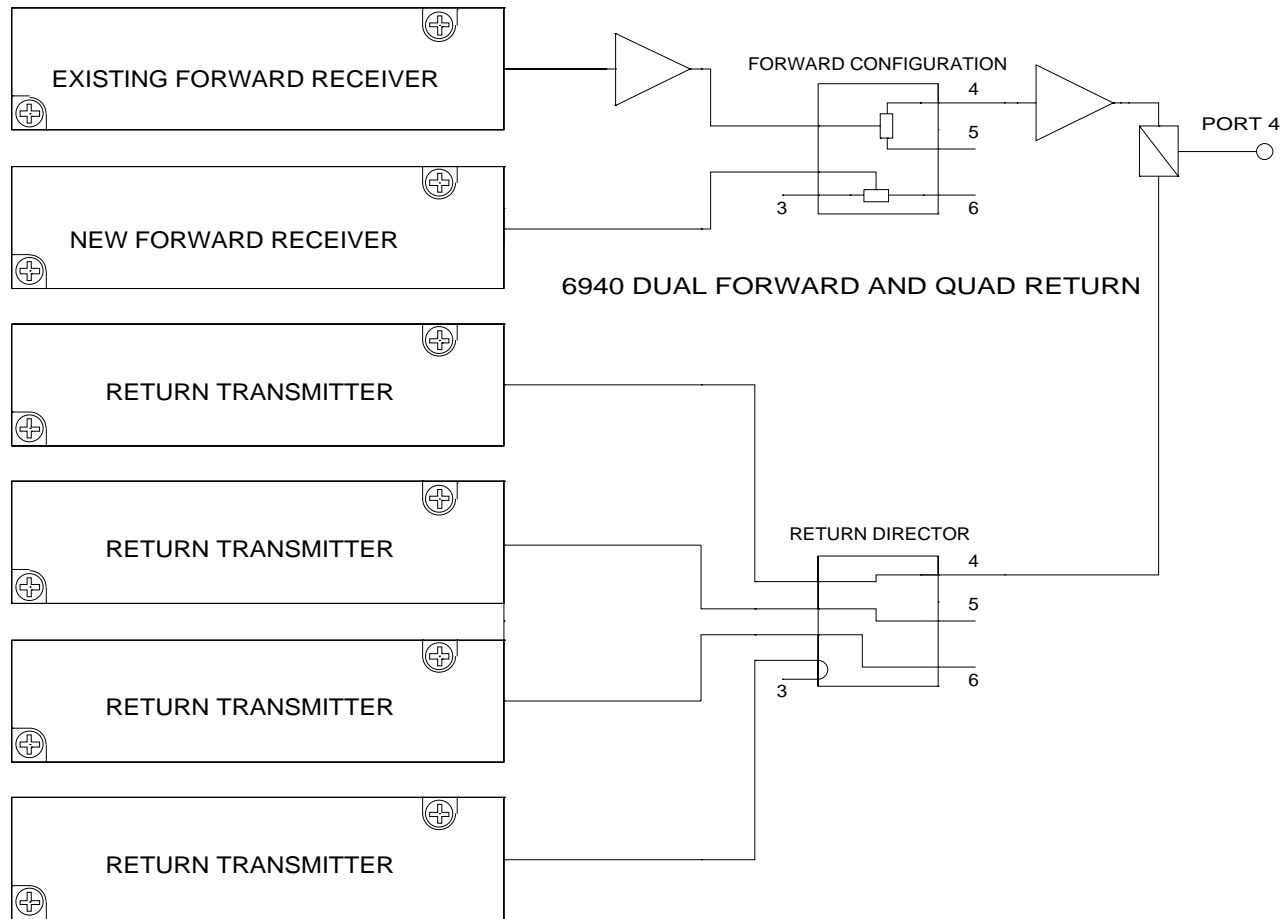
1 Return Combiner

1 or 2 Return Laser modules depending on the planned fiber allocation

(Dedicated fiber, WDM or CWDM)

No alteration to the base 6940 is required.

6940 DUAL FORWARD/QUAD RETURN SEGMENTATION



Dual Forward segmentation is as shown above. The new Return Interstage directs each port to an individual laser location. The upper right port is directed to the existing laser location.

A Quad Return kit consists of:

1 Return Director

3 or 4 Return Laser modules depending on the planned fiber allocation
(Dedicated fiber, WDM or CWDM)

No alteration to the base 6940 is required. Consult factory for specific kit part numbers and specifications.



CableServ Inc.
4560 Eastgate Parkway
Mississauga, Ontario, Canada L4W 3W6
Telephone: (905) 629-1111
Fax: (905) 629-1115
Toll Free: 800-668-2033
E-mail to: inquiries@cableserv.com Visit us at www.cableserv.com