

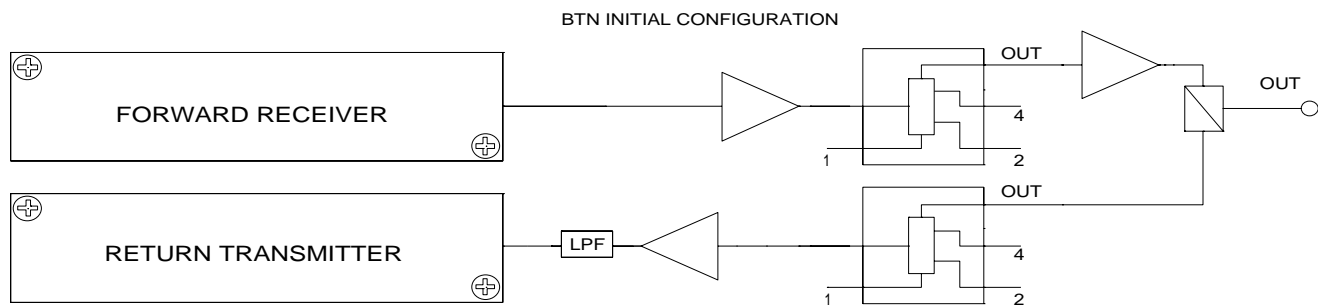


Cableserv MOTOROLA® BT Series Node Segmentation Overview

The MOTOROLA® BT was manufactured originally as a 4 output node.

This model was intended for Dual Return segmentation, but was only produced in a Single Forward Receiver configuration.

The diagram below shows the base configuration for the BT Series as normally deployed.



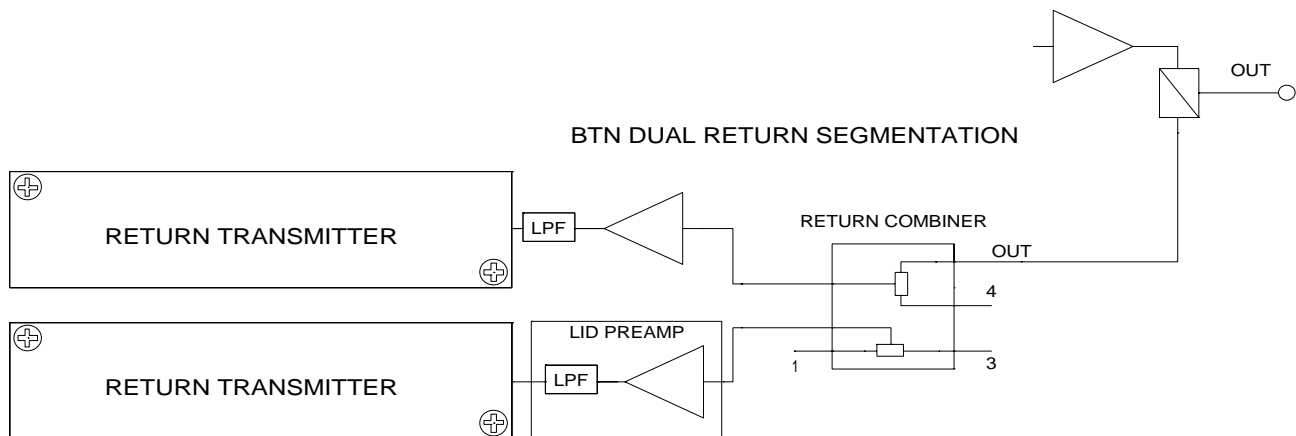
BT NODE DUAL RETURN SEGMENTATION

The new Return Interstage Configuration module directs 2 ports (lower right and lower left) to a new Return Laser, and 2 ports (upper right and center right) to the existing Laser location.

A Dual Return kit consists of:

- 1 Return Combiner
- 1 Return Routing module
- 1 Lid Mount Preamp
- 1 or 2 Return Laser modules depending on the planned fiber allocation (Dedicated fiber, WDM or CWDM)

Depending on fiber availability and required topology, Return Lasers are available in 1310nm, 1550nm and ITU CWDM 1470-1610nm.



No alteration to the base BT Node is required. The segmentation can be performed with the amplifier in operation, and only momentary Return Path interruptions.

Consult factory for specific kit part numbers and specifications.



CableServ Inc.
4560 Eastgate Parkway
Mississauga, Ontario, Canada L4W 3W6
Telephone: (905) 629-1111
Fax: (905) 629-1115
Toll Free: 800-668-2033
E-mail to: inquiries@cableserv.com Visit us at www.cableserv.com
